

MUELLER

500 SERIES D

Magnetic Drive Positive Displacement Disc Meters Sizes 1 1/2" & 2"

FEATURES

Applications: Measurement of cold water for residential, commercial and industrial applications where water volumes are low, and low flow sensitivity is important.

Conformance to Standards: Mueller Series 500 D Water Meters comply with ANSI / AWWA Standard C700. Meters which are manufactured with the Nylon coated ductile iron maincase option meet the requirements of NSF Standard 61, Annex 372.

The meters provide a no lead solution. Each meter is tested to ensure compliance.

Construction: Mueller Series 500 D Water Meters consist of three basic parts: maincase; measuring chamber; and permanently sealed register. The maincase and topcase are made of Nylon coated ductile iron. The measuring chamber, nutating disc and strainer are made of thermoplastic, which is dimensionally stable and will not corrode. A test port in the body permits in-line testing. Register box and lid are available in plastic or bronze.

The meter is designed so that the register, measuring chamber and strainer can be replaced without removing the meter from the line.

Register: The permanently sealed register has a unique seal and heat-treated glass to eliminate dirt, moisture infiltration and lens fogging. An integral tamper-proof locking feature is provided to resist tampering with the register. The totalizing register has a straight-reading odometer type display, a 360° test circle with center sweep hand and a low flow (leak) detector. Standard gearing is used, making registers interchangeable by size.

All Mueller Meter Models have electronic meter reading systems available for increased reading efficiency (see Meter Reading Systems.)

Operation: Water flows through the meter's strainer where any debris that could adversely affect meter accuracy or free operation is screened out. As the water enters, it fills a known volume of the measuring chamber on one or the other side of a movable disc that separates the chamber into two sections. As water enters it moves the disc (nutates), forcing a known volume of water out of the meter from the opposite side of the disc. The process repeats as the sections refill and empty in turn. The nutating action of the disc is coupled magnetically to the register to indicate the volume of water that passes through the meter. The large measuring chamber requires fewer nutations of the disc for each gallon measured, which helps to limit wear, reduce pressure loss and extend the life of the meter.

Maintenance: The Mueller Series 500 D Water Meters are designed and manufactured to provide long service life with virtually no maintenance required.

Connections: Available with integral two-bolt oval flanges.



572 D METER

MATERIALS AND SPECIFICATIONS

Model Number	562 D and 572 D
Sizes	1 1/2" and 2"
Standards	Manufactured and tested to meet or exceed all applicable parts of ANSI / AWWA C700 Standard. Nylon coated ductile iron options meet requirements of NSF Standard 61, Annex G.
Operating Flow Range	Cold water measurement with flow in only one direction
Accuracy	See chart on following page
Pressure Loss	See chart on following page
Maximum Working Pressure	See chart on following page
Temperature Range	150 psi
Measuring Element	33°F to 100°F water temperature
Disc Nutations (Per Gallon)	Nutating disc
Register Type	562 D: 6.47, 572 D: 3.92
Meter Connections	Straight reading, permanently sealed, magnetic drive with low flow indicator. Remote reading units optional.
Materials	Maincase – Nylon coated ductile iron; Measuring Chamber – Thermoplastic; Magnets – ceramic; Strainer – Thermoplastic; Casing bolts – stainless steel ANSI B18; Register box and lid – thermoplastic.
Options	Meter case – Nylon coated ductile iron Register box and lid – bronze UNSC85700; AMR / AMI Reading Systems.

500 SERIES D

Magnetic Drive Positive Displacement Disc Meters Sizes 1 1/2" & 2"

METER REGISTRATION

METER SIZE	INITIAL DIAL*	CAPACITY	INITIAL DIAL*	CAPACITY
1 1/2"	100 Gallons	100 Million	10 Cubic Feet	10 Million
2"	100 Gallons	100 Million	10 Cubic Feet	10 Million

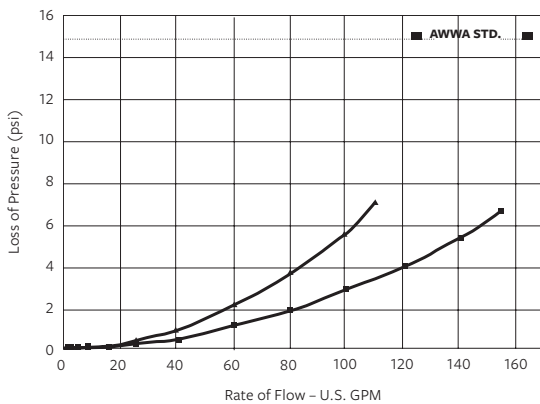
*Registration equal to one full revolution of the sweep hand.

FLOW CHARACTERISTICS

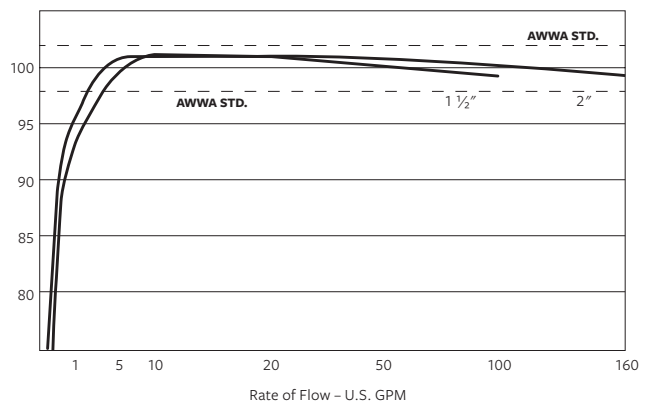
METER SIZE	TYPICAL LOW FLOW (95% MINIMUM)	TYPICAL OPERATING RANGE (100% ± 1.5%)	MAXIMUM CONTINUOUS OPERATION
1 1/2"	1 1/2 GPM	5 to 100 GPM	50
2"	2 GPM	8 to 160 GPM	80

PERFORMANCE

Head Loss - 1 1/2" and 2" (Figure 1)

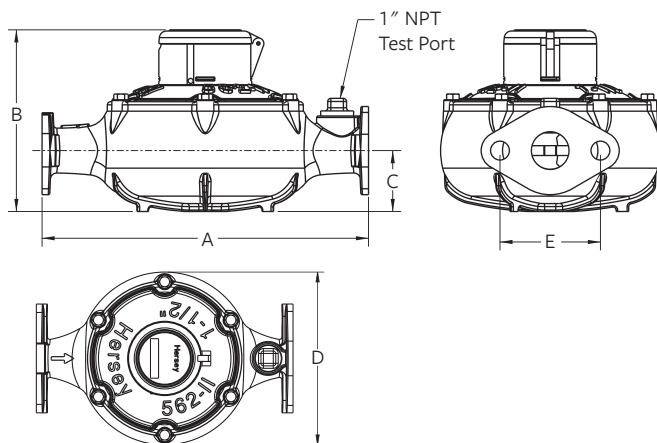


ACCURACY - 1 1/2" AND 2" (Figure 2)



Note: Performance curves are typical only and NOT a guarantee of performance.

DIMENSIONS AND WEIGHTS

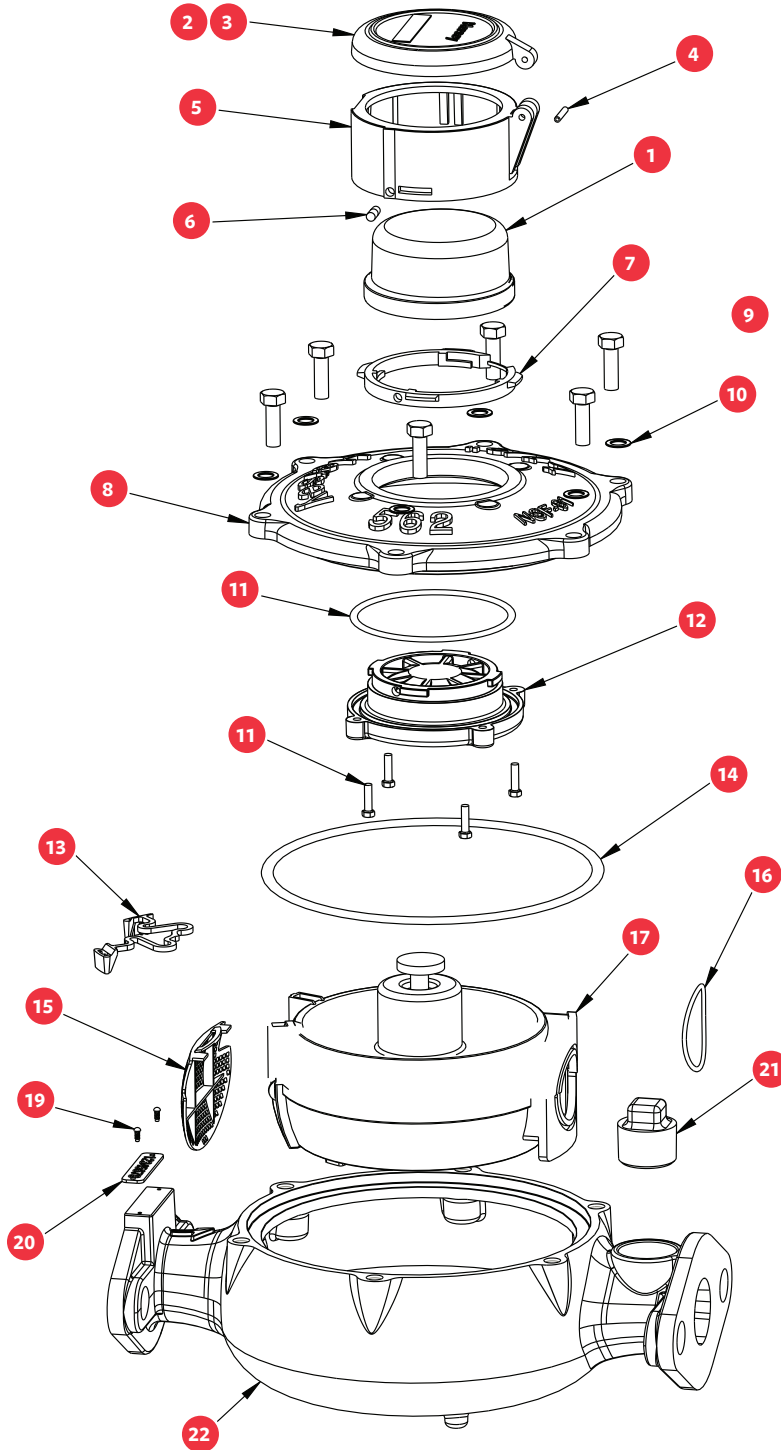


METER SIZE	1 1/2"	2"
ENDS	FLANGED	
MODEL	562 D	572 D
DIMENSION		
A	13"	17"
B		
Visual Registration	7.250"	8.125"
SSR Registration	7"	7"
ME-Registration	7.750"	7.750"
C	2.437"	3.00"
D	8.750"	10.437"
E	4.00"	4.50"
Net weight	18	28

Note: Meter couplings are optional and must be ordered separately. Weights are in pounds and are approximate.

500 SERIES D

Magnetic Drive Positive Displacement Disc Meters Sizes 1 1/2" & 2"



500 SERIES D

Magnetic Drive Positive Displacement Disc Meters Sizes 1 1/2" & 2" Parts

REF NO.	DESCRIPTION	MATERIAL	562 1 1/2" MODEL	572 2" MODEL
1	Visual Register	US Gallons Glass / Brass	D357715	D358115
		CF Glass / Brass	D357725	D358125
	Translator Register	US Gallons Plastic / Brass	D35791xxx	D35831xxx
		CF Plastic / Brass	D35792xxx	D35832xxx
Specify Electronic Reading Value 4, 5, or 6 Wheel				
2	Complete Register Housing Assembly Includes parts 3-7	Plastic	B7856	B7856
		Bronze	B7857	B7857
3	Register Cover	Plastic	C5768	C5768
		Bronze	C5774	C5774
4	Spirol Pin	Plastic cover: SST	AS41122	AS41122
		Bronze Cover: SST	AS41123	AS41123
5	Register Housing Base	Plastic	C5769	C5769
		Bronze	C5772	C5772
6	Register Locking Pin	Blue Colored Plastic	A12658	A12658
		Brass Colored Plastic	A126581	A126581
7	Register Housing Insert	Plastic	C5770	C5770
8	Top Case	Nylon Coated Ductile Iron	D3642C	D3646C
9	Case Bolts	SST	90026 (qty 6)	90010 (qty 8)
10	Washers	SST	90018 (Qty 6)	90018 (Qty 8)
11	Register Hub O-Ring	Rubber	98313	98313
12	Register Hub	Plastic	C6631	C6631
13	Socket Head Cap Screws	SST	98157 (Qty 4)	98157 (Qty 4)
14	O-Ring Case Seal	Rubber	98314	98315
15	Chamber Retainer	Plastic	C5466	C5466
16	O-Ring Chamber Seal	Rubber	A130204	A130205
17	Complete Chamber Assembly Includes parts 14, 15, 16		D3575	D3576
18	Strainer	Plastic	C6576	C6577
19	Type U Drive Screw	Plated	98158 (Qty 2)	98158 (Qty 2)
20	Serial Number ID Plate		A13070	A13070
21	Test Plug	SST	59013	59013
22	Bottom Case	Nylon Coated Ductile Iron	D3644C	D3648C

For more information about Mueller or to view our full line of water products, please visit muellersystems.com or call Mueller customer service at 1.800.423.1323.

Mueller refers to one or more of Mueller Water Products, Inc. a Delaware corporation ("MWP"), and its subsidiaries. MWP and each of its subsidiaries are legally separate and independent entities when providing products and services. MWP does not provide products or services to third parties. MWP and each of its subsidiaries are liable only for their own acts and omissions and not those of each other. MWP brands include Mueller®, Echologics®, Hydro Gate®, Hydro-Guard®, HYMAX®, Jones®, Krausz®, Mi.Net®, Milliken®, Pratt®, Pratt Industrial®, Singer®, and U.S. Pipe Valve & Hydrant. Please see muellerwp.com/brands and krauszusa.com to learn more.

© 2020 Mueller Systems, LLC. All Rights Reserved. The trademarks, logos and service marks displayed in this document are the property of Mueller Systems, LLC., its affiliates or other third parties. Products above marked with a section symbol (§) are subject to patents or patent applications. For details, visit www.mwppat.com. These products are intended for use in potable water applications. Please contact your Mueller Sales or Customer Service Representative concerning any other application(s).

F 14213 6/20

