



452 SERIES

Magnetic Drive Positive Displacement Disc Meters Size 1"

FEATURES

Applications: Measurement of cold water for residential and small commercial applications where water volumes are low, and low flow sensitivity is important.

Conformance to Standards: Mueller 452 water meter complies with latest version of ANSI/AWWA Standard C700, NSF-61 372 and the Safe Water Drinking Act. Each meter is tested to ensure compliance.

Construction: Mueller 452 water meter consists of three basic parts: main case; measuring chamber; and permanently sealed register. The main case is made of bronze for long life. Direction of flow arrows and model are cast into each main case. The bottom cover is epoxy-coated cast iron with a molded plastic liner separating it from the waterway. Optional bronze bottom covers are available. The measuring chambers are large for reduced wear during operation. The measuring chamber, integral strainer, nutating disc are thermoplastic, which is dimensionally stable and will not corrode. The stainless steel thrust roller moves smoothly along a stainless steel wear plate to reduce friction and maintain accuracy. The register box and lid are available in plastic or bronze. The meter is designed so that the register can be replaced without removing the meter from the line.

Register: The permanently sealed register has a unique seal and heat-treated glass to eliminate dirt, moisture infiltration and lens fogging. An integral tamper-proof locking feature is provided to resist tampering with the register. The totalizing register has a straight-reading odometer type display, a 360° test circle with center sweep hand and a low flow (leak) detector or the option of a solid state LCD display. Standard gearing is used, making registers interchangeable by size. All Mueller meter Models have electronic meter reading systems available for increased reading efficiency (see Meter Reading Systems.)

Operation: Water flows through the meter's strainer where debris is screened out. The incoming water fills a known volume of the measuring chamber on one or the other side of a movable disc that separates the chamber into two sections. As water enters, it moves the disc (nutates), forcing a known volume of water out of the meter from the opposite side of the disc. The process repeats as the sections refill and empty in turn. The nutating action of the disc is coupled magnetically to the register to indicate the volume of water that passes through the meter. The large capacity measuring chamber requires fewer nutations of the disc for each gallon measured, which helps to limit wear, extend the life of the meter, and reduce pressure loss.

Maintenance: The Mueller 452 water meter is designed and manufactured to provide long service life with virtually no maintenance required.

Connections: Supplied with external straight pipe threads (NPSM) per ANSI B1.20.1.



452 WITH SSR REGISTER

MATERIALS AND SPECIFICATIONS

Model	452
Sizes	1" x 1"
Standards	Manufactured and tested to meet or exceed all applicable parts of ANSI/AWWA C700 Standard NSF-61 372 and the Safe Water Drinking Act
Service	Cold water measurement with flow in only one direction
Operating Flow Range	See chart on the following page
Accuracy	See chart on the following page
Pressure Loss	See chart on the following page
Maximum Working Pressure	150 PSI
Temperature Range	33° F to 100° F water temperature
Measuring Element	Nutating Disc
Register Type	Straight reading, permanently sealed, magnetic drive with low flow indicator. Remote reading units optional.
Meter Connections	1" external (NPSM) straight pipe threads per ANSI B1.20.1
Materials	Meter case – No Lead Bronze; Bottom cover – cast iron ASTM A126 CL. B; Chamber top/bottom – thermoplastic; Nutating disc – thermoplastic; Disc pin – stainless steel; Thrust roller – stainless steel; Wear plate – stainless steel; Coupling – Ceramic magnet; Strainer – thermoplastic; Coupling shaft – stainless steel ANSI B18; Top cover bolts – stainless steel ANSI B18; Bottom cover bolts – stainless steel ANSI B18; Register box and lid – thermoplastic.
Options	Bottom cover – bronze UNSC84400 ; Register box and lid – bronze UNSC85700; AMR/AMI Reading Systems

452 SERIES

Magnetic Drive Positive Displacement Disc Meters Size 1"

METER REGISTRATION

METER SIZE	INITIAL DIAL*	CAPACITY	INITIAL DIAL*	CAPACITY
1"	10 Gallons	10 Million	1 Cubic Feet	1 Million

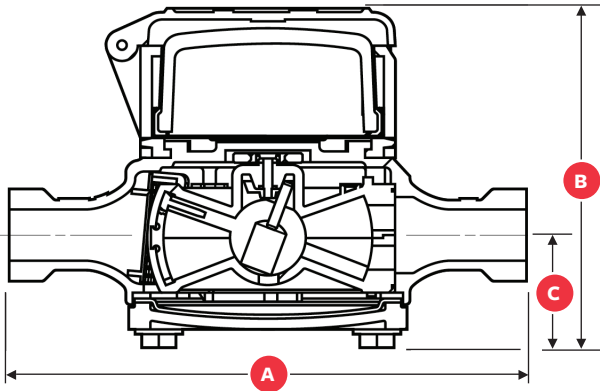
*Registration equal to one full revolution of the sweep hand.

FLOW CHARACTERISTICS

METER SIZE	TYPICAL LOW FLOW (95% MINIMUM)	TYPICAL OPERATING RANGE (100% ± 1.5%)	MAXIMUM CONTINUOUS OPERATION
1"	¾ GPM	2 to 20 GPM	35 GPM

Note: Performance curves are typical only and NOT a guarantee of performance.

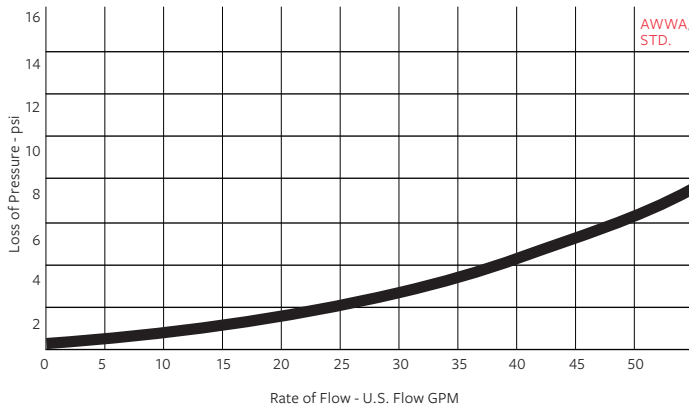
DIMENSIONS AND WEIGHTS



METER SIZE	1"
ENDS EXTERNAL (NPSM) STRAIGHT PIPE THREADS	
MODEL	452
DIMENSIONS	
A	10 ¾"
B Visual Reg	5 ½"
B SSR Reg	5 ¼"
B ME-8 Reg	5 ¾"
C	2 ⅛"
Width	7.22"
Inlet & Outlet	1"
Net Weight	11

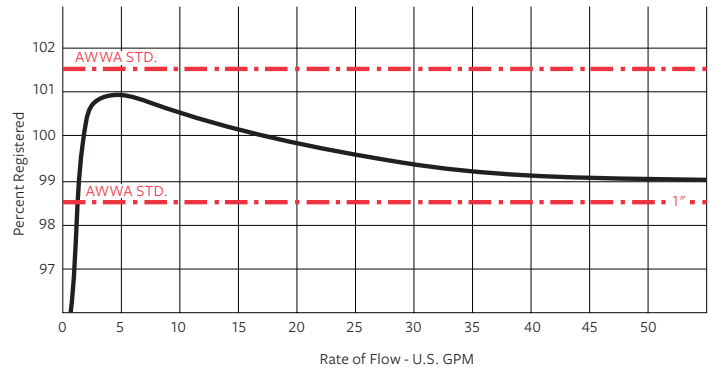
PERFORMANCE

HEAD LOSS - 1" (FIGURE 1)



NOTE: Performance curves are typical only and NOT a guarantee of performance.

ACCURACY - 1" (FIGURE 2)



452 SERIES

Magnetic Drive Positive Displacement Disc Meters Size 1" Parts

REF NO.	DESCRIPTION	MATERIAL	1" MODEL 452
1	Complete Register Housing Assembly Includes the following:	Plastic	B7856
		Bronze	B7857
2	Register Cover	Plastic	C5768
3	Spirol Pin	Plastic	AS41122
	Spirol Pin	Bronze	AS41123
4	Register Housing Base	Plastic	C5769
5	Register Housing Insert	Plastic	C5770
6	Register Locking Pin	Blue Color Plastic	A12658
	Register Locking Pin	Brass Color Plastic	A126581
7	Visual Register USG	Glass/Brass	D32565
	Visual Register CF	Glass/Brass	D32566
	Encoder Register USG*	Plastic/Brass	Call CS
	Encoder Register CF*	Plastic/Brass	Call CS
8	1" Main Case 2006 and after	No Lead Bronze	D3589SI
9	Complete Chamber Assembly Includes following parts 10-16	Plastic	C5692PO
10	Top Chamber Assembly	Plastic**	-
11	Bottom Chamber Assembly	Plastic**	-
12	Disc Assembly	Plastic/SST**	-
13	Thrust Roller	SST	
14	Wear Plate	SST	
15	Outlet Seal	Rubber	A130203
16	Chamber Retainer	Plastic	C5466
17	Strainer	Plastic	51026P045
18	Gasket	Rubber	C5489
19	Liner	Plastic	C5506
20	Bottom Cover 2006 and after	Cast Iron	B8623
	Bottom Cover 2006 and after	Bronze	B8624
21	Case Bolt 2006 and after	SST	90010 (6)

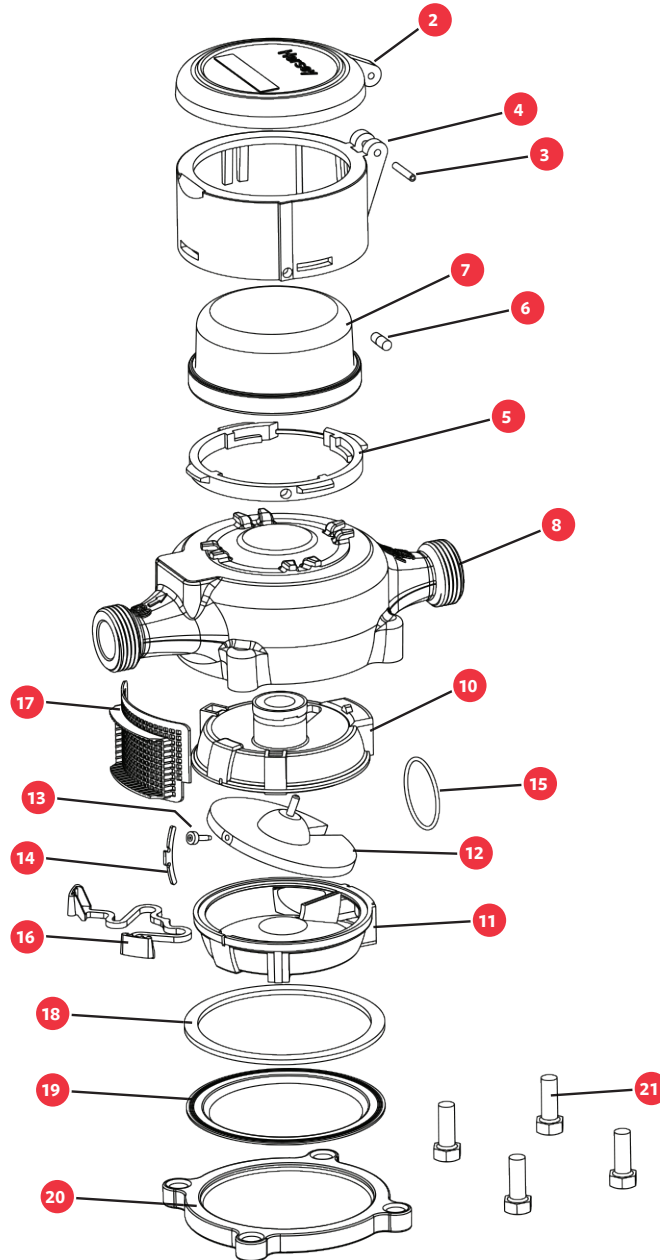
*Call Mueller Customer Service for appropriate Translator Register and AMR Device part number.

**Available only as part of item 9 – Complete Chamber Assembly.

NOTE: If more than one part is required per assembly, quantity is noted after part number (in parenthesis). The different top and bottom case requirements for the various flange configurations. Bolt quantities and sizes vary.

452 SERIES

Magnetic Drive Positive Displacement Disc Meters Model 452



For more information about Mueller or to view our full line of water products, please visit muellersystems.com or call Mueller customer service at 1.800.423.1323.

Mueller refers to one or more of Mueller Water Products, Inc. a Delaware corporation ("MWP"), and its subsidiaries. MWP and each of its subsidiaries are legally separate and independent entities when providing products and services. MWP does not provide products or services to third parties. MWP and each of its subsidiaries are liable only for their own acts and omissions and not those of each other. MWP brands include Mueller®, Echologics®, Hydro Gate®, Hydro-Guard®, HYMAX®, Jones®, Krausz®, Mi.Net®, Milliken®, Pratt®, Pratt Industrial®, Singer®, and U.S. Pipe Valve & Hydrant. Please see muellerwpp.com/brands and krauszusa.com to learn more.

© 2020 Mueller Systems, LLC. All Rights Reserved. The trademarks, logos and service marks displayed in this document are the property of Mueller Systems, LLC., its affiliates or other third parties. Products above marked with a section symbol (S) are subject to patents or patent applications. For details, visit www.mwppat.com. These products are intended for use in potable water applications. Please contact your Mueller Sales or Customer Service Representative concerning any other application(s).

